

**MSUD valve form A 18mm with cable PVC-JZ 3x0,75 grey 3m**

Form A (18 mm)  
24 V AC/DC with LED and suppression

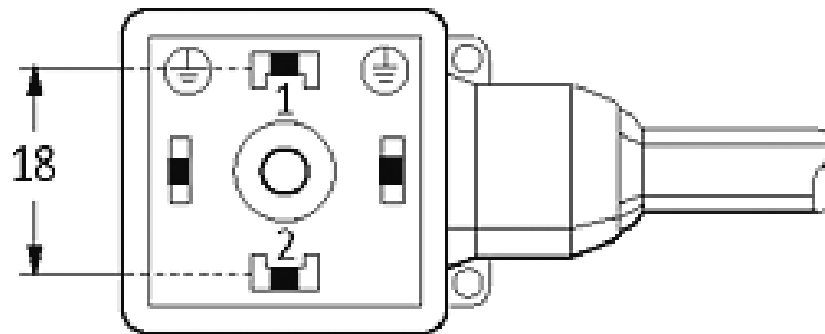
**Image**

Vicarious picture

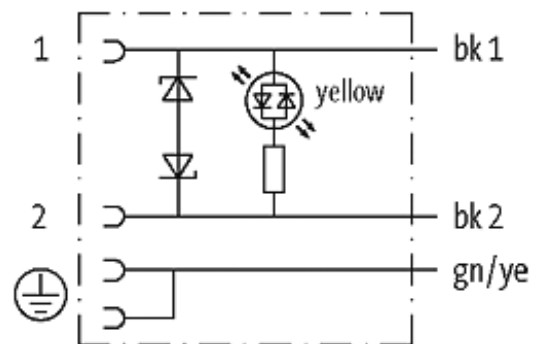
<b>Form</b>	18021
<b>Technical Data</b>	
Operating voltage	24 V AC/DC ±25 %
Operating current per contact	max. 4 A
Switch off peak	max. 55 V
Switch off delay time	max. 20 ms
Locking of ports	M3 (recommended torque 0.4 Nm)
Protection	IP65 and IP67 when plugged and screwed down (EN 60529)
Housing	Black plastic (gray on request)
Temperature range	-25...+85 °C, depending on cable quality
<b>Cable</b>	
No./diameter of wires	3 × 0.75 mm <sup>2</sup>
Wire isolation	PVC (bk, num, gnye)
C-track properties	
Jacket	PVC
Outer diameter	approx. 5.9 mm
Bend radius (moving)	10 x outer diameter
Temperature range (fixed)	-30...+70 °C
Temperature range (mobile)	-5...+70 °C
<b>Commercial data</b>	
Net weight	213
Weight unit	Gram
Basic unit	pc.
Customs tariff number	85444290
Unit (piece)	1
Minimum order quantity (piece)	1
<b>Comments</b>	
	Further cable lengths on request.
	Plastic housings with good resistance against chemicals and oils.
	The resistance to aggressive media should be individually tested for your application. Further details on request.

All data on this data sheet was compiled carefully.  
Liability regarding correctness, completeness, and actuality is limited to gross negligence. Created: 02/15

## Contact layout



## Circuit diagram



## Dimension drawing

